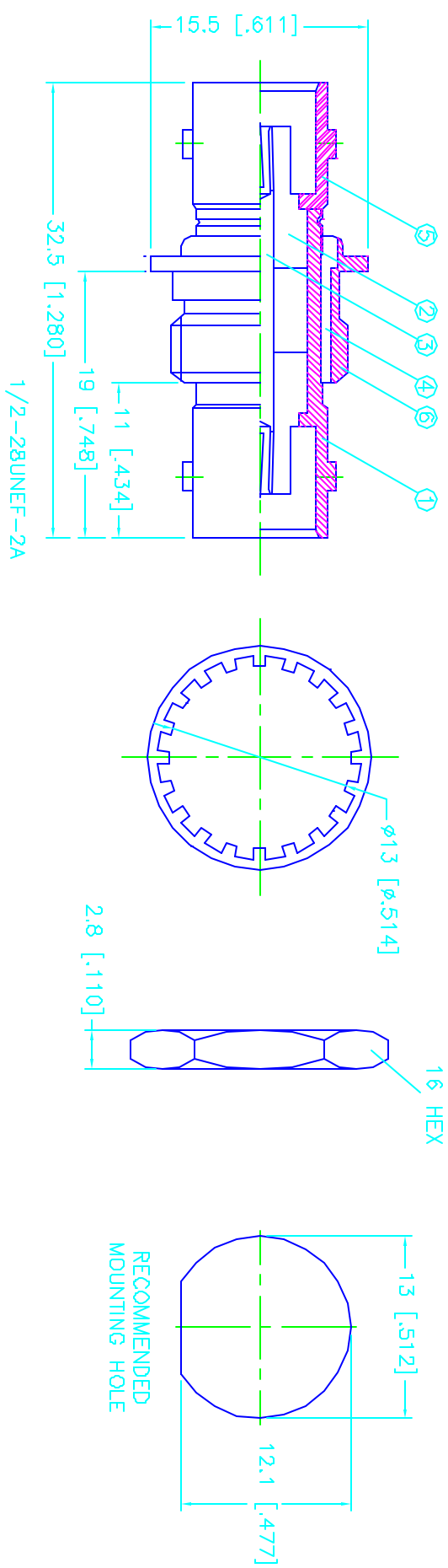
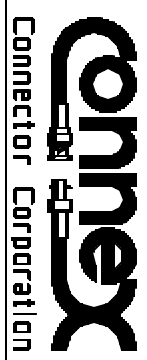


REV.	DATE	DESCRIPTION
NC	06/15/98	INITIAL RELEASE



DESCRIPTION	MATERIAL	FINISH	UNLESS OTHERWISE SPECIFIED DIMENSIONS ARE IN MILLIMETERS	APPROVALS	DATE	TITLE	SCALE	SHEET
1 BODY	BRASS	NICKEL	DIMENSIONS IN [] ARE IN INCHES	DRAWN	G.R.S.	06/15/98	SIZE	1 OF 1
2 INSULATOR	DELRIIN	NATURAL	FOR CUSTOMER REFERENCE ONLY	CHECKED			FORM NO.	
3 CONTACT PIN	PHOS. BRONZE	GOLD	UNLESS OTHERWISE SPECIFIED TOLERANCES FOR MILLIMETERS ARE:	ISSUED			99001	
4 INSULATOR	DELRIIN	NATURAL	0.5-6 = ± 0.2			BNC FEMALE TO FEMALE BULKHEAD ISOLATED ADAPTOR	DWG. NO.	
5 BODY	BRASS	NICKEL	6-30 = ± 0.4				112439	
6 HOUSING	BRASS	NICKEL	30-120 = ± 0.6					
7			120-315 = ± 1					
8			315-1000 = ± 1.6					
			1000-2000 = ± 2.4					
			DO NOT SCALE DRAWING					



BNC FEMALE TO FEMALE BULKHEAD ISOLATED ADAPTOR

99001

112439.DWG

REV. NC